

# TECHNICAL DATA SHEET

## RADIAL FAN nr. AFGG-35\_12



G&G filtration CZ, s.r.o.

A Hrubínova 1903/9, 66451 Šlapanice, CZ

IČ 05226953 IČ DPH CZ05226953

E [info@ggf.cz](mailto:info@ggf.cz) W [www.ggf.cz](http://www.ggf.cz)

### ITEM1

Document printed by Aeraulica - Dimensions and performances can be changed without prior notice

Type and characteristics of the requested machine				performance on		Outlet		
Flow rate	7500 [m3/h]	Capacity (Normal)				6988 [Nm3/h]		
Total pressure	3550 [Pa]	Static pressure						
Working fluid temperature	20 [°C]	Fluid specific weight				1.204 [Kg/m3]		
Installation altitude	0 asl [m]	Specific weight std (20 [°C], 0 asl [m])				1.204 [Kg/m3]		
Suggested model and effective characteristics				performance on		Outlet		
Model	<b>GF 500/2-A-I</b>	Execution	E04	Installation Type	<b>A (free inlet and outlet)</b>			
Fluid specific weight	1.204	1.204 [Kg/m3]		Revolution fan speed		2960 [rpm]		
Total pressure	3636	3636 [Pa]		Orientation		RD 0		
Static pressure	3443	3443 [Pa]		Sound power LwA		100.53 [dB(A)]		
Flow rate	7500	7500 [m3/h]		Sound pressure at mt.1.5 1/2 sf in open field		87.23 [dB(A)]		
Capacity (Normal)	6988	6988 [Nm3/h]		Pipings	s>3mm = +3dB; 1mm<s<3mm = +4,5dB; s<1mm = +6dB			
Power dem. at shaft	8.948	8.948 [kW]		Fan efficiency	Outlet	84.66	%	
Motor power demand	8.948	8.948 [kW]						
Characteristics of chosen motor				Motor efficiency IEC 60034-30			PD <sup>2</sup> impeller	
Code	<b>160MA2-50/std3</b>	shape	B3	Efficiency	91.2	91	89.5	2.2 kgm <sup>2</sup>
Rated power	11.0 [kW]	n° poles	2	rpm	2955	Load	100%	75%
							50%	14.4 kgm <sup>2</sup>
<b>ErP 2009/125/CE Regulament (UE) N. 327/2011</b>				<b>Notes</b>				
Efficiency grade	<b>64</b>		N	77.6	Total efficiency		77.37	%
Impeller type	backward blades	Type of test	B/total	Flow rate	7027.2 [m3/h]	Pressure	3574 [Pa]	
<b>NOTE</b>				Performance on Outlet GF 500/2-A-I - E04 - D=0.5[m] - ρ=1.204[kg/m <sup>3</sup> ] - T=20[°C] - 0[m]a.s.l.				
Rpm Limit	<=60 °C: 3400 Rpm							
values of the noise of fan obtained in ambient not reverberant with inlet and outlet ducts fully insulated								

# TECHNICAL DATA SHEET

## RADIAL FAN nr. AFGG-35\_12



G&G filtration CZ, s.r.o.

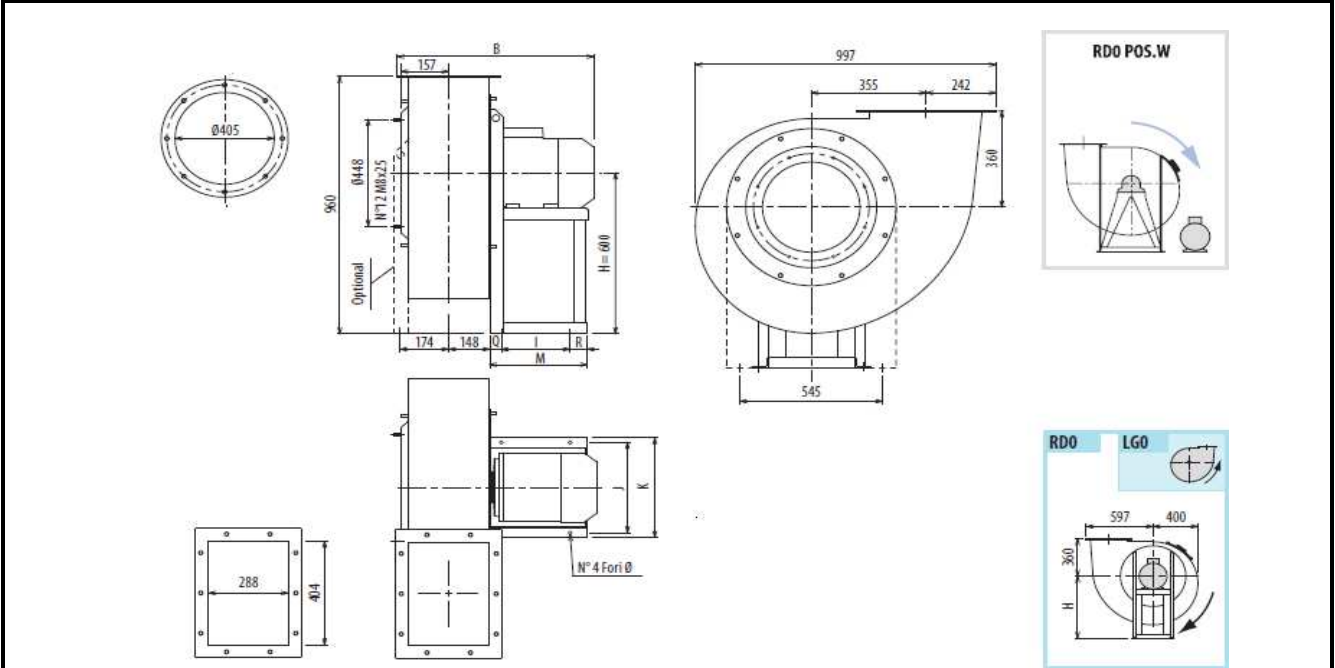
A Hrubínova 1903/9, 66451 Šlapanice, CZ

IČ 05226953 IČ DPH CZ05226953

E [info@ggf.cz](mailto:info@ggf.cz) W [www.ggf.cz](http://www.ggf.cz)

### ITEM1

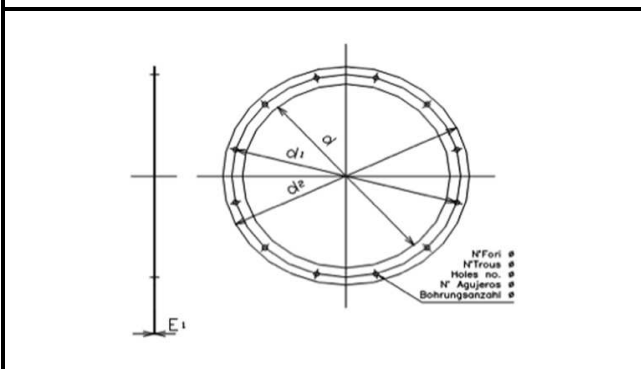
Document printed by Aeraulica - Dimensions and performances can be changed without prior notice



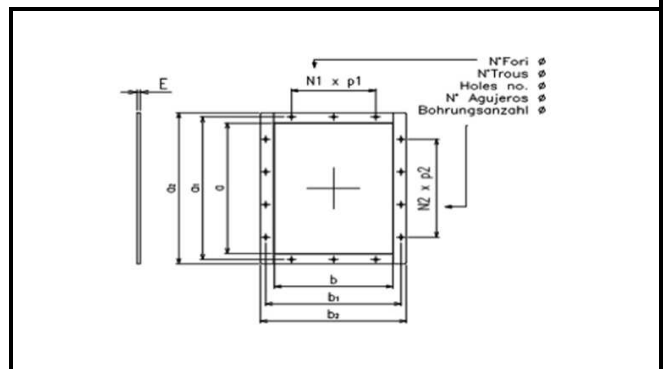
Indicative measures in the standard configuration. For detailed information contact your reference.

Indicative value of weight including standard motor.

B	I	H	H1	H2	J	K	M	Q	R	Φ	PD2	kg
810	337	600	360	600	395	440	445	54	54	14	2,2	175



Cod	dxn°	d1	d2	Φ	E1
0405 A	405x12	448	485	12	4



Cod	axb	a1	b1	a2	b2
0404x0288	404x288	448	332	484	368

N1xp	N2xp	n°	Φ	E
2x125	3x125	14	12	4

--	--	--	--	--

--	--	--	--	--

--	--	--	--	--

--	--	--	--	--