

TECHNICAL DATA SHEET

RADIAL FAN nr. AFGG-35_25



G&G filtration CZ, s.r.o.

A Hrubínova 1903/9, 66451 Šlapanice, CZ
 IČ 05226953 IČ DPH CZ05226953
 E info@ggf.cz W www.ggf.cz

ITEM1

Document printed by Aeraulica - Dimensions and performances can be changed without prior notice

Type and characteristics of the requested machine				performance on		Outlet			
Flow rate	75000 [m3/h]	Capacity (Normal)				69883 [Nm3/h]			
Total pressure	3550 [Pa]	Static pressure							
Working fluid temperature	20 [°C]	Fluid specific weight				1.204 [Kg/m3]			
Installation altitude	0 asl [m]	Specific weight std (20 [°C], 0 asl [m])				1.204 [Kg/m3]			
Suggested model and effective characteristics				performance on		Outlet			
Model	RL 1400/6-II	Execution	E04	Installation Type	A (free inlet and outlet)				
Fluid specific weight	1.204	1.204 [Kg/m3]		Revolution fan speed		985 [rpm]			
Total pressure	3375	3375 [Pa]		Orientation		RD 0			
Static pressure	3247	3247 [Pa]		Sound power LwA		107.11 [dB(A)]			
Flow rate	75000	75000 [m3/h]		Sound pressure at mt.1.5 1/2 sf in open field		93.81 [dB(A)]			
Capacity (Normal)	69883	69883 [Nm3/h]		Pipings	s>3mm = +3dB; 1mm<s<3mm = +4,5dB ; s<1mm = +6dB				
Power dem. at shaft	87.033	87.033 [kW]		Fan efficiency	Outlet	80.78 %			
Motor power demand	87.033	87.033 [kW]							
Characteristics of chosen motor				Motor efficiency IEC 60034-30			IE3		
Code	315L66-50/std3P	shape	B3	Efficiency	95.1	95.5	95.3	PD ² impeller	379.0 kgm ²
Rated power	110.0 [kW]	n° poles	6	rpm	991			PD ² needed	374.42 kgm ²
				Load	100%	75%	50%	PD ² motor	720 kgm ²
ErP 2009/125/CE Regulament (UE) N. 327/2011				Notes					
Efficiency grade	64			N	77.3	Total efficiency		79.77 %	
Impeller type	backward blades	Type of test	B/total	Flow rate	94333.92 [m3/h]	Pressure		2892 [Pa]	
NOTE				Performance on Outlet RL 1400/6-II - E04 - D=1.4[m] - ρ=1.204[kg/m ³] - T=20[°C] - 0[m]a.s.l.					
Rpm Limit	<=60 °C: 1100 Rpm								
values of the noise of fan obtained in ambient not reverberant with inlet and outlet ducts fully insulated									

TECHNICAL DATA SHEET

RADIAL FAN nr. AFGG-35_25



G&G filtration CZ, s.r.o.

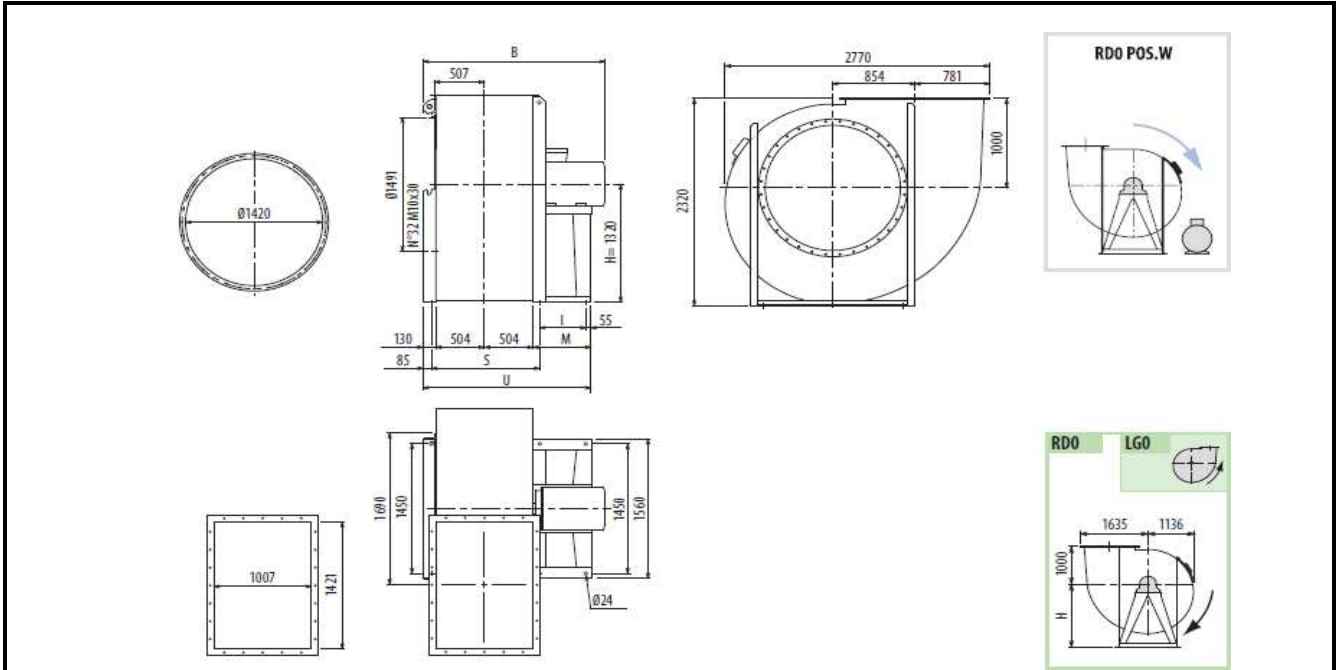
A Hrubínova 1903/9, 66451 Šlapanice, CZ

IČ 05226953 IČ DPH CZ05226953

E info@ggf.cz W www.ggf.cz

ITEM1

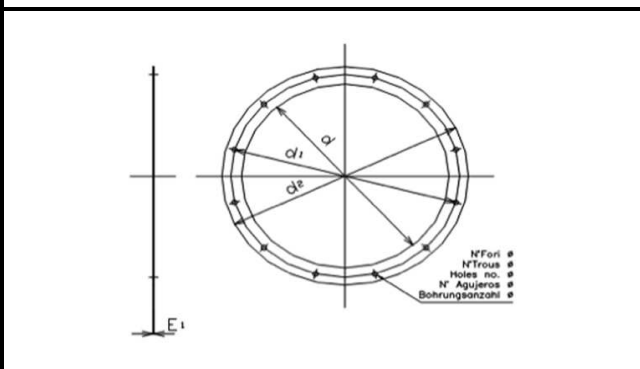
Document printed by Aeraulica - Dimensions and performances can be changed without prior notice



Indicative measures in the standard configuration. For detailed information contact your reference.

Indicative value of weight including standard motor.

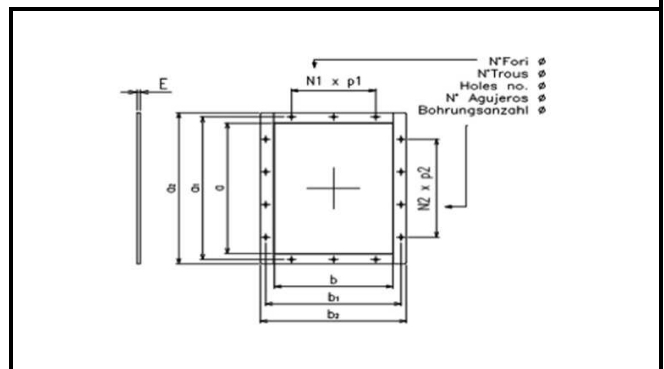
B	I	H	H1	H2	H3	H4	M	S	U	PD2	kg
2330	645	1320	1000	1700	1320	1700	800	1152	1937	379	2651



Cod	dxn°	d1	d2	Φ	E1
1420 A	1420x32	1491	1540	17	6

--	--	--	--	--	--

--	--	--	--	--	--



Cod	axb	a_1	b_1	a_2	b_2
1421x1007	1421x1007	1501	1087	1561	1147

N1xp	N2xp	n°	Φ	E
4x200	6x200	24	18	10

--	--	--	--	--